

SERVICE BULLETIN

SUBARU CORPORATION

Customer Quality Dept.

Japan.

Issued: 21 December, 2022

Subject:	Part Change Information: New Part for GASKET-SPARK PLUG PIPE with higher durability
Applicable Section in Service Manual:	Engine > IGNITION > Spark Plug
Applicable Parts name in Parts System:	Engine > CYLINDER HEAD > GASKET-SPARK PLUG PIPE
Foreword:	This Service Bulletin is to inform you of the new part GASKET-SPARK PLUG PIPE with higher durability as countermeasure part against the problem that oil seepage comes from GASKET-SPARK PLUG PIPE.

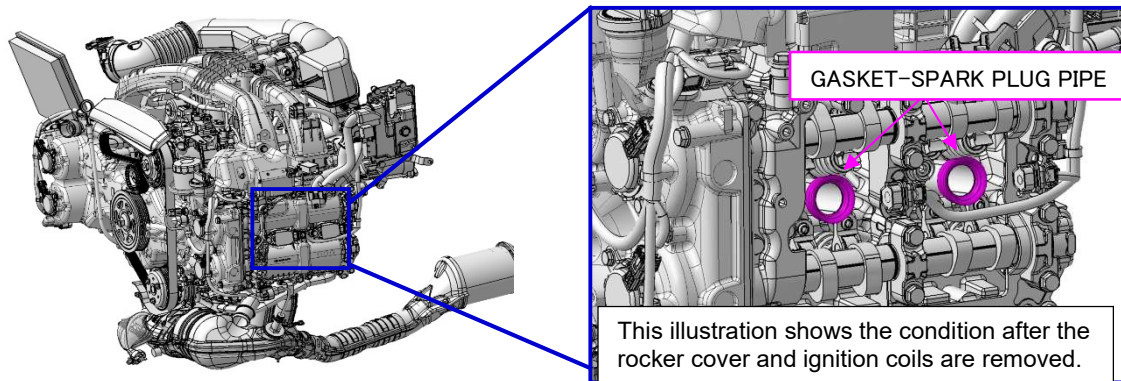
1. Applicable Vehicle

Applicable Vehicle	Destination, Specification	MY
LEGACY	North America	13 - 23
	Europe, General	13 - 20
OUTBACK	North America, Europe, General	13 - 23
IMPREZA/XV/Crosstrek	North America, Europe, General	12 - 23
FORESTER	North America, Europe, General	11 - 23
ASCENT	North America	19 - 22
EVOLTIS	Europe, General	21 - 22
WRX	North America, Europe, General	15 - 22
LEVORG/WRX Wagon	Europe, General	16 - 22
BRZ	North America, Europe, General	13 - 23

This information is applicable to Japan, SIA, Malaysia, and Thailand production vehicles.

2. Symptom and Improvement

Symptom	Details of Symptom and Improvement
Oil seepage from GASKET-SPARK PLUG PIPE can be seen.	<p>Details of Symptom, Cause: When the engine is kept operated under the severe condition, the rubber material of GASKET-SPARK PLUG PIPE deteriorates and becomes hard, resulting in oil seepage through GASKET-SPARK PLUG PIPE.</p> <p>Details of Improvement: Changed the rubber material of GASKET-SPARK PLUG PIPE to higher durability one.</p> <p>If the problem is reported, replace GASKET-SPARK PLUG PIPE with the new one.</p> <p>Note: 1. GASKET-SPARK PLUG PIPE is not a reusable part. Do not reuse the old GASKET-SPARK PLUG PIPE. 2. The shape, color, and size of new/old parts are identical.</p>



Location of the affected parts

3. Production Change Information (Starting VIN)

Applicable Vehicle	Destination, Specification		Starting VIN	
LEGACY	North America		TBD	
OUTBACK	North America		4S4BTGUD9P3120065	
	Europe, General	RHD	JF2BT9KL3NG030445	
LHD		JF1BT9LL3NG028828		
IMPREZA/XV	Europe, General	RHD	Sedan	JF1GK7KL5NG016381
			Wagon	JF1GTEKL5NG158748
		LHD	Sedan	JF1GK7LL5NG013177
			Wagon	JF1GT2UD6PG204047
IMPREZA	North America		Sedan	TBD
			Wagon	TBD
Crosstrek	North America		JF2GTDNC5PH255451	
FORESTER	North America		JF2SKARC9NH524652	
	Europe, General	RHD	JF2SK9KL5PG090215	
		LHD	JF1SK7ACXNG168253	
ASCENT	North America		4S4WMAPD9N3466783	
EVOLTIS	Europe, General	RHD	TBD	
		LHD	TBD	
WRX	North America		JF1VBAF61N9022034	
	Europe, General	RHD	JF1VBHK85NG003459	
		LHD	JF1VBHL63NG002299	
WRX Wagon	Europe, General	RHD	JF1VNHK85NG002691	
		LHD	JF1VNHL85NG002065	
BRZ	North America		JF1ZDBE17P9701400	
	Europe, General	RHD	JF1ZD8K81PG004259	
		LHD	JF1ZD24B0P9006279	

For more detailed information regarding the VIN format, refer to “Identification Section” in Service Manual.

4. Parts Information and Interchangeability

No.	New Parts		Interchangeability	Old Parts	Note
1	Part No.	10966AA042	New Part to Old Vehicle: Yes. Old Part to New Vehicle: No.	10966AA041	For all FA/FB engine models
	Part Name	GASKET-SPARK PLUG PIPE		GASKET-SPARK PLUG PIPE	

5. Working Procedure

Refer to applicable vehicle Service Manual. The working procedure is not changed.

6. Labour Time

Refer to applicable vehicle Flat Rate Data.

END.

CAUTION: VEHICLE SERVICING PERFORMED BY UNTRAINED PERSONS COULD RESULT IN SERIOUS INJURY TO THOSE PERSONS OR TO OTHERS.

SUBARU Service Bulletins are intended for use by professional technicians **ONLY**. They are written to inform those technicians of conditions that may occur in some vehicles, or to provide information that could assist in the proper servicing of the vehicle. Properly trained technicians have the equipment, tools, safety instructions, and know-how to do the job correctly and safely. If a condition is described, **DO NOT** assume that this Service Bulletin applies to your vehicle, or that your vehicle will have that condition.